



**MAINTENANCE AND OPERATING INSTRUCTIONS  
MODEL 36-008  
"NOBRUSH" PERMANENT MAGNET ALTERNATOR**

GEORATOR Corporation  
9617 Center Street  
Manassas, Virginia 20110  
USA  
800-523-9938, 703-368-2101, fax 703-368-1078  
[WWW.Georator.com](http://WWW.Georator.com)



**SPECIFICATION**  
**GEORATOR CORPORATION**  
MANASSAS, VIRGINIA 20110

Model No. 36-008

Type 18-A Alternator

1.0 OUTPUT:

- 1.1 Rating: 2.0 KVA, 100% P.F., 3 Phase, 400 Hz, 115/200V or 115V (Nom.), 1714 RPM
- 1.2 Output Voltage, No Load: 124V +-1V L-N
- 1.3 Current Rating: 10/5.76 AMPS
- 1.4 Insulation: Class B
- 1.5 Max. Ambient Temperature: 50 Degrees C
- 1.6 Duty: Continuous
- 1.7 Dielectric Strength, Winding to Frame: 1500V for 1 minute

2.0 ROTOR BALANCE: 0.001

3.0 BEARINGS: Shielded Life Time Lubricated

4.0 FINISH:

- 4.1 Primer: Iridite
- 4.2 Paint: Silver-Blue Enamel
- 4.3 Fasteners: Zinc-Plated

5.0 APPROX. WEIGHT:

- 5.1 Net: 46 Lbs.
- 5.2 Shipping: 61 Lbs.

Revision Letter	Date	Revision Description
ENGINEER	M.T.E.	
APPROVED BY		April 20, 1998

**GEORATOR CORPORATION**  
Manassas, Virginia

MAINTENANCE AND OPERATING INSTRUCTIONS  
MODEL 36-008  
“NOBRUSH” PERMANENT MAGNET ALTERNATOR

**NOTE**

Some instructions are general in nature. Some particular models may vary in size and precise locations for components. However, we believe that the user will be able to make those adjustment mentally. If you are at all concerned, please feel free to contact Georator Corporation with any questions you may have.

**GENERAL**

The “NoBrush” Alternator utilizes a metal housing enclosing the generator components. In most models, this housing is an aluminum casting. In a few militarized models, it is a steel housing. The generator rotor is mounted upon a shaft, which rotates on ball bearing.

The internal construction of the generator resembles very closely that of a three phase, squirrel cage, induction motor. The maintenance attention required will be the same as would be required for a three phase motor, operating under similar conditions.

Generally attention will be required only if the unit has accidentally been immersed in water, or has been exposed for long periods to very dusty atmospheres, especially where fibrous dust exists. In such cases it will be desirable to disassemble the unit and clean the winding. The other condition for which disassembly is required, will be replacement of a defective bearing. The procedure for disassembly of the unit and replacement of the bearings is given on page 3.

In most models, shielded lubricated-for-life bearings are utilized. These will not normally need lubrication, nor other attention of any sort.

The alternator will not be adversely affected by dead short circuit applied across its terminals. A prolonged short circuit, however, can overheat the unit and can also result in damaging the associated wiring and equipment. Normal overload protection should therefore, be provided.

**OUTPUT CONNECTIONS**

A terminal box at one side of the unit has the alternator output terminals. The wiring diagram is supplied with each unit.

NOTE: DO NOT APPLY EITHER AC OR DC TO ANY OF THE WINDINGS OF THE GENERATOR.

## **MAINTENANCE OF ALTERNATOR**

### **CLEANING**

It is most important that accumulations of oil, water, dirt, and dust are not permitted to cover the machine, enter it, or block ventilation. Remove any such accumulations from the machine and surrounding operating area.

Wipe the exterior of the machine to keep it clean. When necessary, use a suitable solvent to remove dirt accumulations from the machine surface.

Electrical machines should be protected from and kept free of acids, alkalines, chemical compounds and gas fumes that may cause insulation deterioration.

### **CLEAN WINDINGS**

Accumulations of any foreign materials should be kept off the windings. Failure to keep the windings clean may result in short circuits, grounding of insulated surfaces, and in increased temperature rise.

The frequency of cleaning windings will have to be determined by operating conditions. However, it is a good policy to clean the windings at least once a year. Greasy or oily deposits may be wiped off with a lint free cloth dipped in a suitable solvent. Take care not to leave solvent deposits on the windings. Light accumulations of nonconductive dust

may be removed by compressed air. Use a pressure range of 40 to 60 psi. Do not blow directly into the windings. When dirt and dust accumulations are heavy or of a highly conductive nature, it is best to use an especially built vacuum cleaner to clean the machine. Follow the cleaner instructions carefully.

### **SOLVENTS**

When the parts of a motor and generator need cleaning, use a suitable petroleum solvent such as kerosene, petroleum spirits or standard solvent. Care must be taken to utilize solvents in accordance with the solvent manufacturer's instructions. Protection in accordance with local laws regarding fire hazards must be provided. Gasoline containing lead compounds should not be used because of their toxic nature. Light petroleum solvents may be more effective but must be free of corrosive action and must be followed up with flushing oil.

### **BEARINGS**

Bearings Life is estimated at more than 10,000 operating hours for normal operating conditions. Bearing replacement is required only when the bearings become noisy. This requires the disassembly of the unit.

## **TO DISASSEMBLE ALTERNATOR**

In the event the disassembly of the alternator becomes necessary for replacement of bearings, etc., the following step-by-step instructions are recommended.

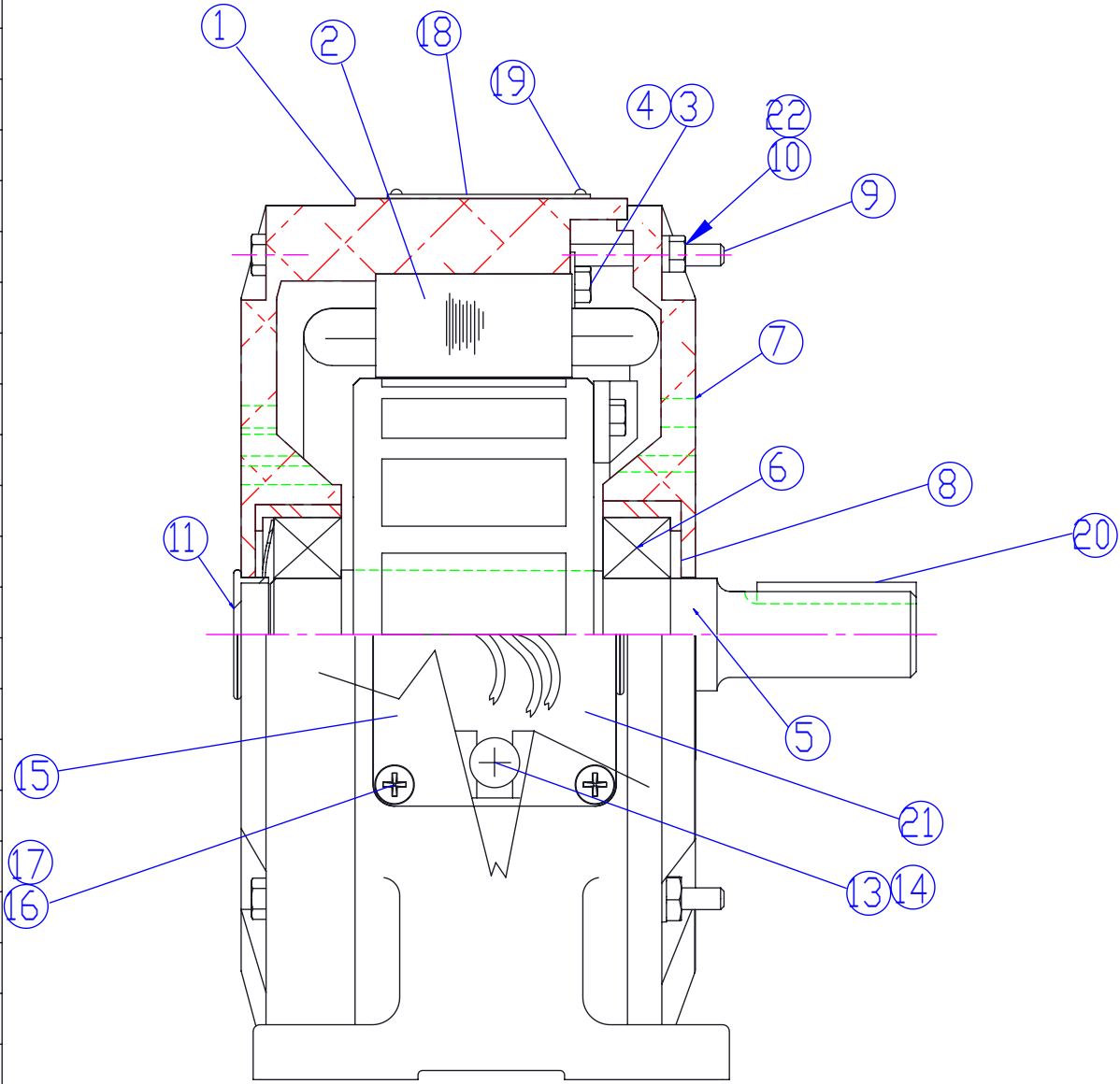
1. Remove four bolts, Item 1, from each end bell.
2. Set generator upright on a shaft end. Use wood or hard rubber block to protect the shaft.
3. Lift generator to a height of 4 to 6 inches and drop on shaft. Be careful to steady the shaft assembly, Item 5, not letting it fall to the side. This shock is necessary to overcome the attraction due to the magnetism of the rotor.
4. Remove the end bell, Item 4, and lift out shaft assembly, Item 5. Caution must be exercised here to prevent the rotor from damaging the winding. Wrap rotor with paper and keep away from tools and all other magnetic material.
5. Remove other end bell (if unit has 2 end bells).
6. Bearings, Item 7, may be removed with a standard bearing puller.


To replace bearings, Item 7, press only on the inside race. Never remove a bearing that is not to be replaced with a new one.

## **TO REASSEMBLE ALTERNATOR**

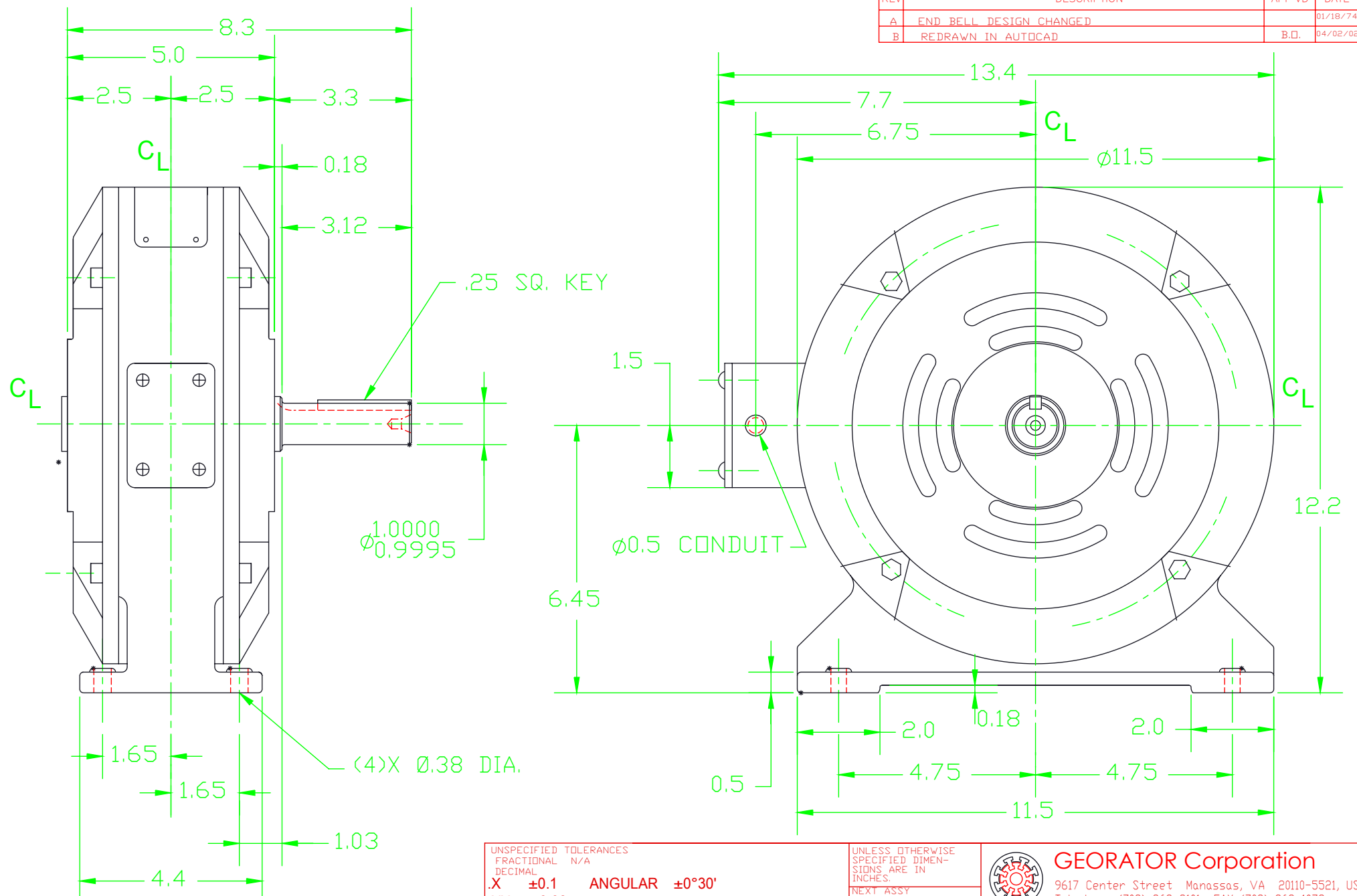
1. Replace end bell, Item 4, on housing.
2. Lay generator flat on side having end bell installed, on blocks, to allow for shaft extension clearance.
3. Remove any dirt or grit that may have adhered to the rotor. Lower shaft assembly, Item 5, gently into place with tapped end (For Eyebolt) of shaft up. Caution must be exercised here -- keep fingers clear of rotor while replacing it and prevent rotor from damaging the winding.
4. Put on other end bell, if applicable, and tighten four bolts, Item 1, alternately. Turn shaft by hand to check for ease of rotation. A light tap with a rubber mallet on bearing housing may relieve any binding.


ITEM NO.	QTY.	DESCRIPTION
1	1	FRAME
2	1	STATOR ASSY.
3	8	RETAINING WASHER
4	8	SCREW
5	1	SHAFT ASSY. (SHAFT, ROTOR, FAN)
6	2	BALL-BEARING
7	1	END BELL
8	1	SPRING WASHER
9	4	THRU BOLT
10	4	NUT
11	1	PLUG, END BELL
12	1	TERMINAL BOX
13	2	SCREW
14	2	FLATWASHER
15	1	COVER
16	4	SCREW
17	4	LOCKWASHER
18	1	NAME PLATE
19	4	SCREW
20	1	KEY
21	1	PLUG, TERMINAL BOX
22	4	LOCKWASHER



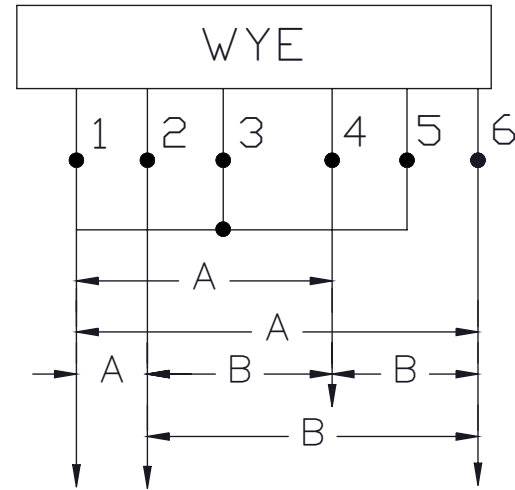
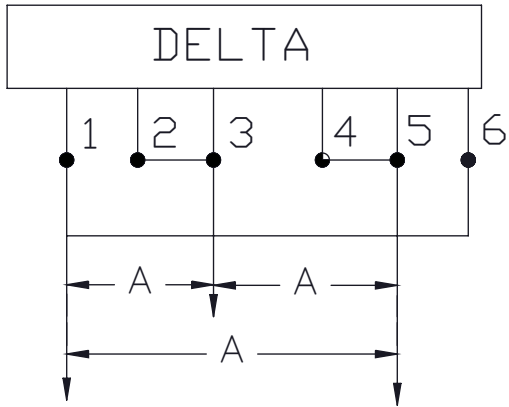
UNLESS OTHERWISE SPECIFIED TOLERANCES ARE IN INCHES		UNLESS OTHERWISE SPECIFIED DIMENSIONS ARE IN INCHES		 <b>GEORATOR Corporation</b> 9617 Center Street Manassas, VA 20110-5521, US Telephone (703)-368-2101 FAX (703) 368-1078	
PLOT @: TO FIT		DO NOT SCALE DRAWING		NAME: <b>ASSEMBLY DRAWING</b> DATE: <b>9-16-65</b> DRAWN:	
A REDRAWN IN AUTOCAD		4-24-08 F.M.		MATERIAL: <b>SEE PARTS LIST</b> DWG. NO.: <b>A 22-004</b> SCALE:	
REV	DESCRIPTION	DATE	BY	SHEET	1 OF 1


REV	DESCRIPTION	APP'VD	DATE
A	END BELL DESIGN CHANGED		01/18/74
B	REDRAWN IN AUTOCAD	B.D.	04/02/02



UNSPECIFIED TOLERANCES FRACTIONAL N/A DECIMAL		UNLESS OTHERWISE SPECIFIED DIMENSIONS ARE IN INCHES.		 <b>GEORATOR Corporation</b> 9617 Center Street Manassas, VA 20110-5521, USA Telephone (703)-368-2101 FAX (703) 368-1078	
.X ±0.1	ANGULAR ±0°30'	NEXT ASSY XXXXXXXXXX	DO NOT SCALE DRAWING	DATE 01/28/66	
.XX ±0.03		PLOT @ FIT	NAME	DRAWN F.L.	
.XXX ±0.010				FILE: 23-020.DWG	
This drawing and any part thereof is the property of GEORATOR CORPORATION, and is subject to return on request by this company. The information shown is confidential and the recipient by accepting this drawing agrees not to use any information contained thereon in any manner which will be detrimental to GEORATOR CORPORATION.				MATERIAL	
				APP'D.	
				FINISH SILVER BLUE ENAMEL	
				SHEET 1 OF 1	
				DWG. NO. A 23-020	
				REV. B	

# OUTPUT



				UNSPECIFIED TOLERANCES: FRACTIONAL #1/32 DECIMAL #0.1 1 PLACE #0.1 2 PLACE #0.03 3 PLACE #0.01 ANGULAR #1/2	UNLESS OTHERWISE SPECIFIED DIMENSIONS ARE IN INCHES.	 <b>GEORATOR Corporation</b> 9617 Center Street Manassas, VA 20110-5521, USA Telephone (703)-368-2101 FAX (703) 368-1078	
				PLOT @: TO FIT	DO NOT SCALE DRAWING		NAME
				This drawing and any print thereof is the property of Georator Corporation and is subject to return on request by this company. The information shown is confidential and the recipient by accepting this drawing agrees not to use any information contained thereof in any manner which will be detrimental to Georator Corporation.	DATE 8-2-76	<b>WIRING DIAGRAM</b> <b>OUTPUT: 3 PHASE</b>	
					DRAWN F.L.		MATERIAL
	REDRAWN IN CAD	6-24-05	MH		FILE: 25-119.DWG		
REV.	DESCRIPTION	DATE	BY	SCALE NONE	FINISH	DWG. NO. A 25-119	REV.
					SHEET 1 OF 1		