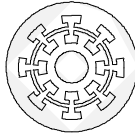




**MAINTENANCE AND OPERATING INSTRUCTIONS
MODEL 30-008 MOTOR-GENERATOR
"NOBRUSH" PERMANENT MAGNET FREQUENCY
CONVERTER
HORIZONTAL UNIT SHELL TYPE**

GEORATOR Corporation
9617 Center Street
Manassas, Virginia 20110
USA
800-523-9938, 703-368-2101, fax 703-368-1078
WWW.Georator.com



SPECIFICATION
GEORATOR CORPORATION
MANASSAS, VIRGINIA 20110

Model No. 30-008
Type 19-A Unit Shell Converter

1.0 **INPUT:**

- 1.1 **Motor:** Baldor Rotor & Stator; 4.5 HP, 3-Phase, 60 Hz, 208-220/440V, 1760 RPM (Nom.), Induction Type, Georator P/N 18-014-B
- 1.2 Input Current At Full Load: 14.2/7.1 Amperes
- 1.3 Insulation: Class B
- 1.4 Maximum Ambient Temperature: 50°C.
- 1.5 Duty: Continuous

2.0 **OUTPUT:**

- 2.1 **Generator:** Permanent Magnet, 3.0 kVA, 100% P.F., 3-Phase, 400 Hz Nom, 115/200V or 115 (Nom.)
- 2.2 Output Voltage - No Load: 124V \pm 1V L-N
- 2.3 Output Frequency: 420 Hz @ N.L. to 408 Hz Min. @ F.L.
- 2.4 Output Current: 15.0/8.6 Amps
- 2.5 Insulation: Class B
- 2.6 Maximum Ambient Temperature: 50 Deg. C
- 2.7 Duty: Continuous
- 2.8 Dielectric Strength: Winding to Frame 1500V for 1 Minute

3.0 **VIBRATION:**

- 3.1 Within .001 Inches

4.0 **BEARINGS:**

- 4.1 Shielded - Life Time Lubricated

5.0 **FINISH:**

- 5.1 Primer: Modified Alkyd Resin, Fed Std. TT-P-664D
- 5.2 Paint: Silver-Blue Enamel
- 5.3 Fasteners: Steel, Zinc Plated

6.0 **APPROX. WEIGHT:**

- 6.1 Net: 150 Lbs.
- 6.2 Shipping 173 Lbs..

Revision Letter	Date	Revision Description
-		
A	2-16-73	Changed Outline Dwg from #23-026 to #23-573
B	4-5-93	Changed Motor from Peerless Motor
C	11-14-00	Changed Net and Ship Weights
ENGINEER		J.M.
APPROVED BY		April 7, 1993

GEORATOR CORPORATION
Manassas, Virginia

MAINTENANCE AND OPERATING INSTRUCTIONS
MODEL 30-008 MOTOR-GENERATOR
"NOBRUSH" PERMANENT MAGNET FREQUENCY CONVERTER
HORIZONTAL UNIT SHELL TYPE

NOTE

These instructions are general in nature. Some particular models may vary in size and precise locations for components. However, we believe that the user will be able to make those adjustment mentally. If you are at all concerned, please feel free to contact Georator Corporation with any questions you may have.

GENERAL

The unit shell type of "NoBrush" frequency converter utilizes a metal housing enclosing both motor and generator components. In most models, this housing or shell is an aluminum casting. In a few militarized models, it is a wrought steel shell. The motor and generator stators are mounted within this shell. The motor and generator rotors are mounted upon a unit shaft, which rotates in ball bearings in the two end bells. The shaft does not project from the end bells.

The internal construction of both the motor and generator resemble very closely that of a three phase, squirrel cage, induction motor. The maintenance attention required will be the as would be required for a three phase motor, operating under similar conditions.

Normally, it should not be necessary to dismantle the unit. Generally, attention will be required only if the unit has accidentally been splashed with or immersed in water or has been exposed for long periods to very dusty atmospheres, especially where fibrous dust exists. In such cases it will be desirable to disassemble the unit, clean the windings and re-treat with varnish if necessary.

This contingency is not a usual one. A safe guide to the need for treatment would be that noted above, namely, whatever treatment would have been appropriate for a three phase induction motor, subjected to the same conditions.

The other condition for which disassembly may be required will be replacement of a defective bearing. The procedure for disassembly of the unit and replacement of the bearings is given on page 2.

The generator unit will not be adversely affected by a dead short circuit applied across its terminals. A prolonged short circuit may overheat the unit and may also result in damage to the associated wiring and equipment. Normal overload protection should therefore be provided.

The "NoBrush" generator portion of the converter will deliver a very stable voltage at constant load, without the use of a regulator. In most cases the voltage will remain within acceptable limits throughout the full range of rated load. This makes possible total elimination of a regulator.

For those applications where very close voltage control is required, despite large variations in load, regulators are available as auxiliaries.

LUBRICATION

In most models, sealed, lubricated-for-life bearings are utilized. These will not normally need lubrication nor other attention of any sort.

In some models, provision for re-lubrication has been made. These models can be distinguished by a removable circular cover at the center of each end bell, held by small screws. To re-lubricate these models, the screws and end cover are removed, clean grease applied with a spatula, the cover replaced and any excess grease wiped off.

INPUT AND OUTPUT CONNECTIONS

The large rectangular terminal box at one side of the unit has the motor and generator terminals. The motor terminals can be distinguished by the fact that the motor connection diagram is directly above them. This diagram is usually on an etched plate, giving the scheme of re-connection for different input voltages.

Units which operate from single phase input are provided with a starting relay and starting capacitor. These are similar to the usual relay and capacitor arrangements used for capacitor-start motors.

Replacements for the relay or capacitor can generally be obtained from motor parts supply houses. Care should be taken that the replacement capacitor is of the same voltage rating and approximately the same capacitance as that it replaces. If a replacement relay is utilized, care should be taken to see that it does not have a greater overall height than the relay it replaces. Capacitor replacements are required only rarely and relay replacements extremely rarely.

Wear or deterioration of the relay contacts will be dependent upon the number of times the unit is started. If started infrequently, on the average of once a day or so, inspection of the contacts

about once a year will suffice. If started several times a day, inspection should be about every six months. Maintenance will consist of dressing the contacts if they appear to be badly burned or pitted.

PROCEDURE FOR DISASSEMBLY OF THE UNIT AND REPLACEMENT OF BEARINGS

1. Remove the through bolts, Item 8, nuts, Item 9, and also the end bell plugs, Item 7. Remove both end bells, Items 4 and 5.
2. Set converter upright on motor end on a wooden block, about three inches high and not larger than the inside diameter of the motor stator.

NOTE: The motor stator has a smaller inside diameter than the generator stator and can be distinguished in this way.

3. Press housing (frame), Item 1, downward. Magnetic forces will tend to hold the rotor in place so that considerable pressure may be required, especially on the higher rated models of 2 or 3 KVA output.
4. Lift shaft assembly, Item 2, from housing. Store generator rotor away from magnetic materials to avoid partial demagnetization or clinging of magnetic particles. It is recommended that the rotor be wrapped with paper temporarily to keep it free of magnetic particles.
5. Bearings may be removed with a bearing or gear puller.
6. To replace bearings, Item 3, press only on the inside race-- do not tap.

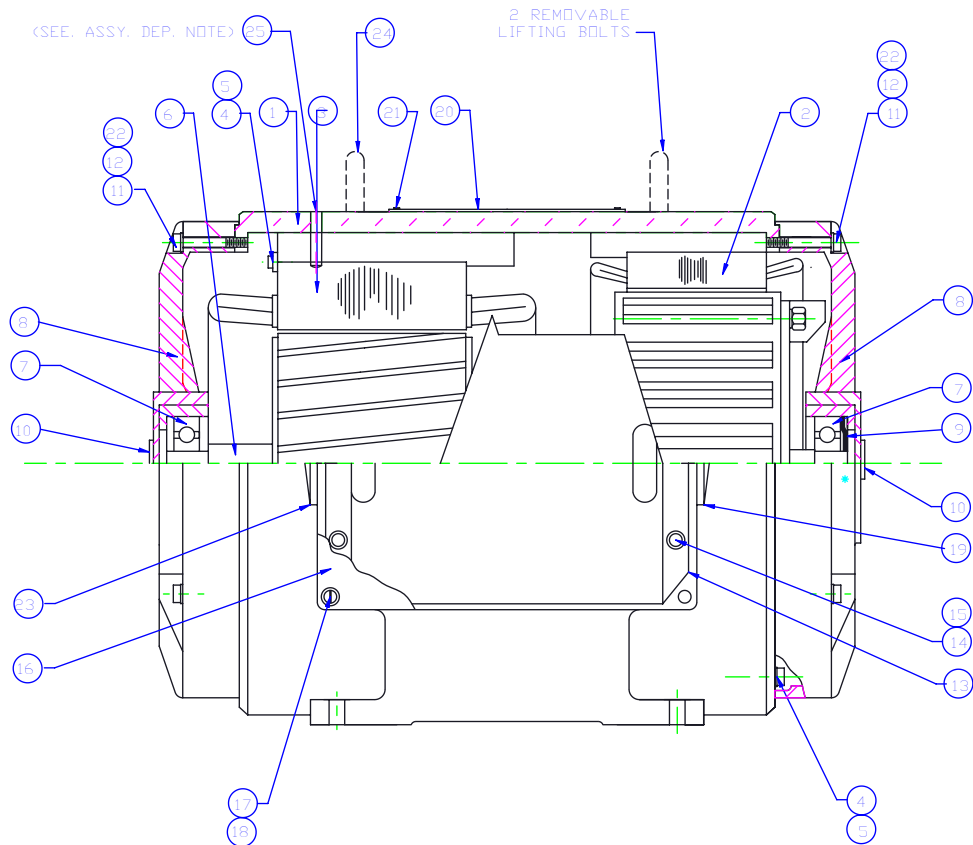
NOTE: Bearings require only a light push fit. Never remove a bearing that is not to be replaced with a new one. Removal and replacement may seriously shorten its life.

TO REASSEMBLE

1. Put end bell, Item 5, on the motor end of the housing, Item 1.
2. Set upright on end bell.
3. Lower shaft assembly, Item 2, carefully into housing and push shaft gently into bottom end bell.
4. Put generator end bell, Item 4, on and push into housing.

5. Replace through bolts, Item 8 and nuts, Item 8.
6. Replace plugs, Item 7.

ITEM	DESCRIPTION	QTY.
1	FRAME	1
2	STATOR ASSY., GENERATOR	1
3	STATOR ASSY., MOTOR	1
4	RETAINING WASHER	16
5	SCREW	16
6	SHAFT ASSY. (SHAFT, GEN. ROTOR, MOTOR ROTOR, FAN)	1
7	BALL BEARING	2
8	END BELL	2
9	SPRING WASHER	1
10	PLUG, END BELL	2
11	BOLT	8
12	LOCKWASHER	8
13	TERMINAL BOX	1
14	SCREW	4
15	FLATWASHER	4
16	COVER	1
17	SCREW	4
18	LOCKWASHER	4
19	PLUG	1
20	NAMEPLATE	1
21	SCREW	4
22	FLATWASHER	8
23	PLUG	1
24	EYEBOLT	2
25	SPIROL PIN	1

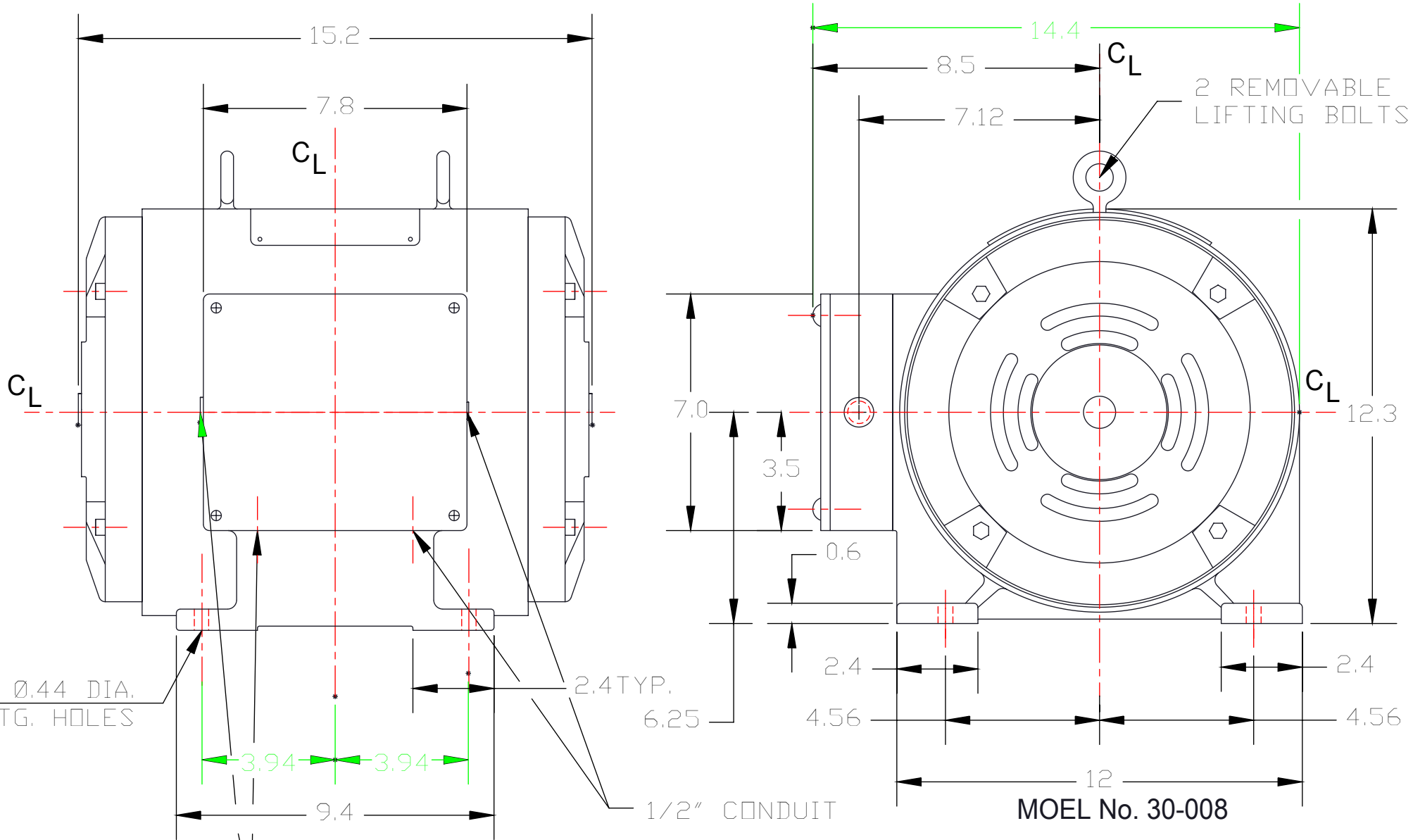


ASSY. DEPT. NOTE:

1. (25) DRILL X .09/12 DEEP INTO MOTOR STATOR FOR ITEM 27.

ORIGINAL DRAWING 1 PCD 1 PCD 1 PCD 1 PCD		SERIAL NO. 2241-2 2241-2		GEORATOR Corporation 9617 Center Street, Mechanicsville, VA 20110-2521, USA Telephone: (703) 948-2301 FAX: (703) 948-0178
PLOT TO FIT		1-5-92		
THIS DRAWING AND ANY PART THEREOF IS THE PROPERTY OF GEORATOR CORPORATION AND IS SUBJECT TO RETURN OR RECALL BY THE COMPANY. THE INFORMATION HEREIN IS CONFIDENTIAL AND THE RECIPIENT BY ACCEPTING THIS DRAWING AGREES NOT TO USE ANY INFORMATION CONTAINED HEREIN FOR ANY PURPOSES OTHER THAN THAT FOR WHICH IT WAS ORIGINALLY INTENDED.		22-241-2 (2/92)		SERIES 30 UNIT SHELL CONVERTER
REV	DESCRIPTION	DATE	BY	A 22-241-2 A

REV	DESCRIPTION	APP'VD	DATE
A	REDRAWN IN AUTOCAD	B.S.O.	03/27/02



(4)X Ø.44 DIA.
MTG. HOLES

2.4 TYP.

1/2" CONDUIT

3/4" CONDUIT

UNSPECIFIED TOLERANCES	UNLESS OTHERWISE SPECIFIED DIMENSIONS ARE IN INCHES.
FRACTIONAL N/A	NEXT ASSY XXXXXXXXX
DECIMAL	DO NOT SCALE DRAWING NAME
.X ±0.1 ANGULAR ±N/A	DATE 4/05/68
.XX ±0.03	DRAWN R.W.
.XXX ±0.010	FILE 23-573.DWG
	APP'D.
	SCALE NONE

This drawing and any part thereof is the property of GEORATOR CORPORATION, and is subject to return on request by this company. The information shown is confidential and the recipient by accepting this drawing agrees not to use any information contained thereon in any manner which will be detrimental to GEORATOR CORPORATION.

DATE	4/05/68
DRAWN	R.W.
FILE	23-573.DWG
APP'D.	
SCALE	NONE



GEORATOR Corporation

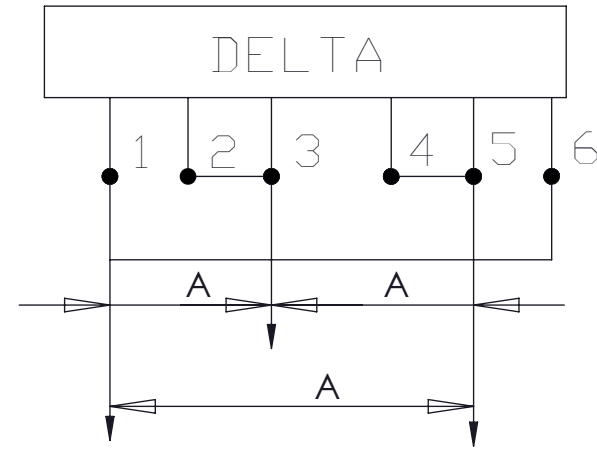
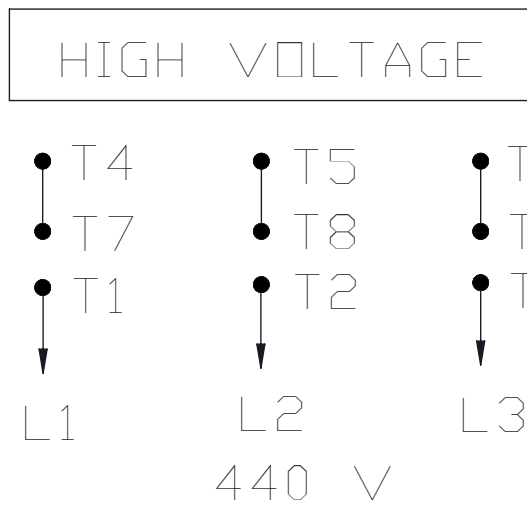
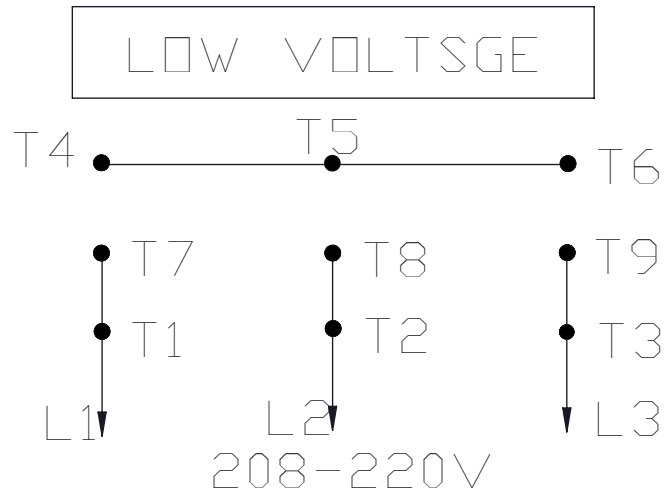
9617 Center Street Manassas, VA 20110-5521, US
Telephone (703)-368-2101 FAX (703) 368-1078

OUTLINE DRAWING
SERIES 30 UNIT SHELL CONVERTER

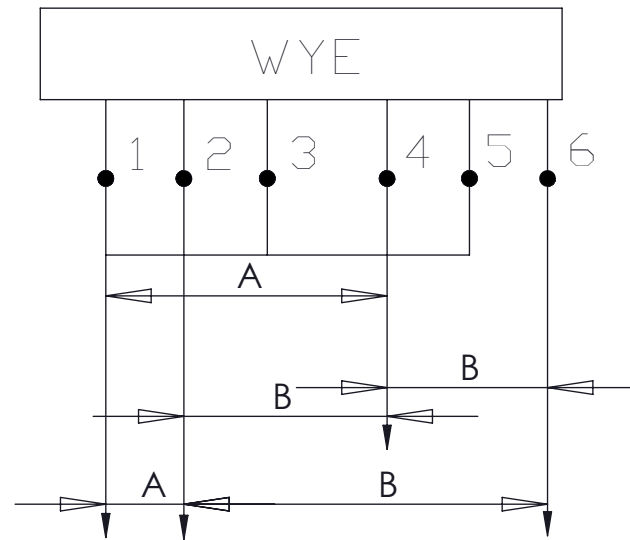
MATERIAL	DWG. NO.	REV.
	A 23-573	
SHEET 1 OF 1		

INPUT
5 H.P., 3 PHASE, 60 HZ


OUTPUT
3 KVA, 3 PHASE, 400 HZ



A = 115V
B = 200V



MODEL NO. 30-008

				UNSPECIFIED TOLERANCES FRACTIONAL 1/16, 1/32 DECIMAL ±0.1 1 PLACE ±0.1 2 PLACE ±0.03 3 PLACE ±0.01 ANGULAR 1/2°	UNLESS OTHERWISE SPECIFIED DIMENSIONS ARE IN INCHES.	 GEORATOR Corporation 9617 Center Street Manassas, VA 20110-5521, USA Telephone (703)-368-2101 FAX (703) 368-1078	
				PLOT @: TO FIT	DO NOT SCALE DRAWING		NAME
				This drawing and any print thereof is the property of Georator Corporation and is subject to return on request by this company. The information shown is confidential and the recipient by accepting this drawing agrees not to use any information contained therein in any manner which will be detrimental to Georator Corporation.	DATE 1-11-08	DATE	WIRING DIAGRAM
				REVISIONS	DRAWN F.M.	FILE 25-062-C.DWG	INPUT: 3 PHASE OUTPUT: 3 PHASE
B	REDRAWN IN CAD	1-11-08	FM	APPROVED	SCALE NONE	MATERIAL	MATERIAL
REV.	DESCRIPTION	DATE	BY	FINISH	DWG. NO.	SHEET 1 OF 1	REV.
							A 25-062-C