

MOTOR INPUT

3 PH, 50 HZ

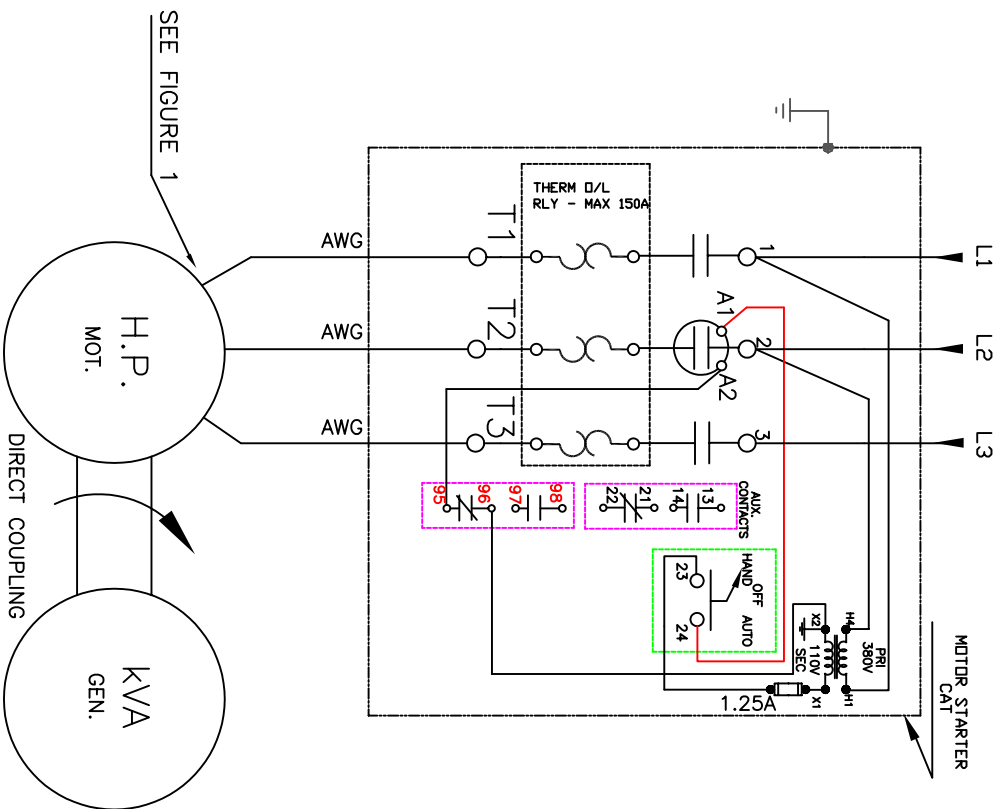
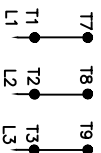


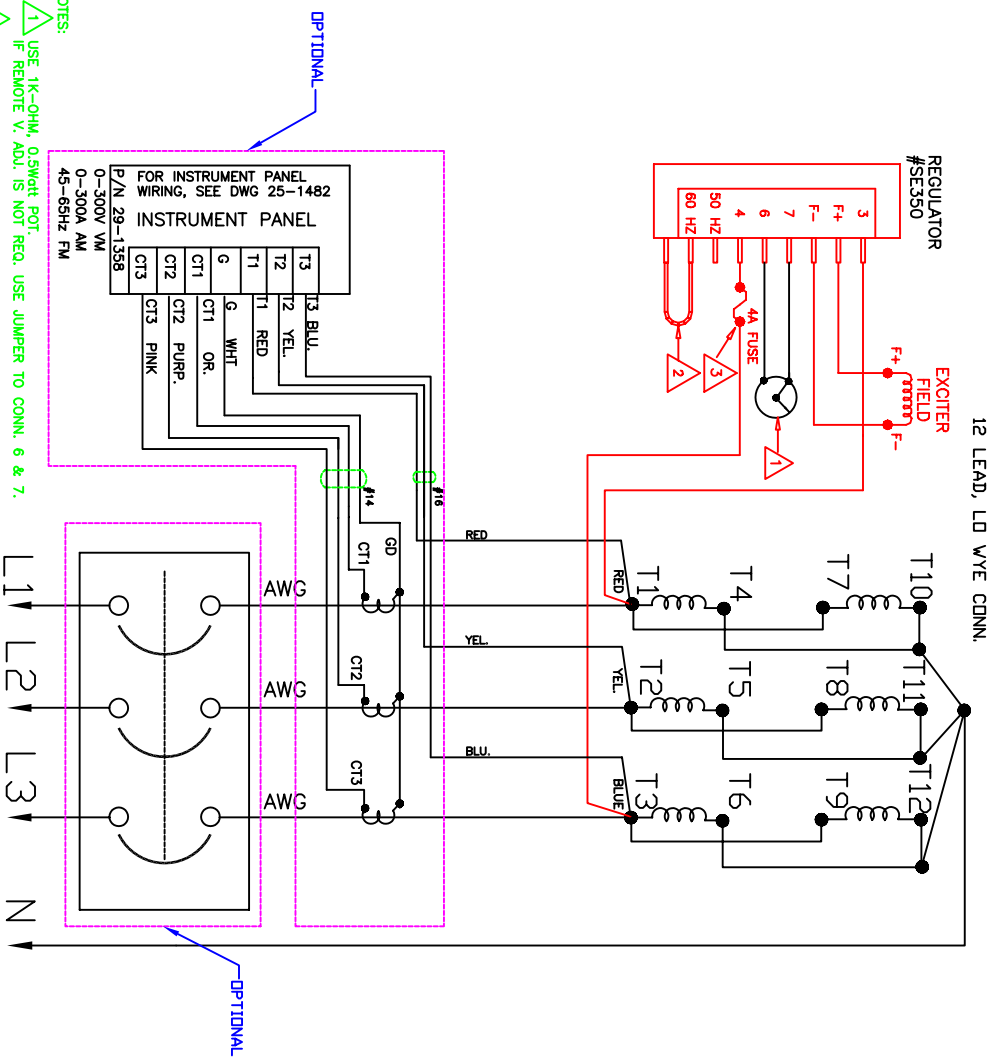
FIGURE 1

MOTOR CONNECTIONS



GENERATOR OUTPUT

3 PH, 60 HZ (+0, - 2%), 1800 RPM



- NOTES:
- 1 USE 1K-OHM, 0.5WATT POT. IF REMOTE V. ADJ. IS NOT REQ. USE JUMPER TO CONN. 6 & 7.
 - 2 MOVE JUMPER TO CORRESPOND WITH THE GEN. FREQ. 50 HZ OR 60 HZ.
 - 3 FUSE IS INHERENT TO VOLTAGE REGULATOR
 - 4 WIRE INPUT & OUTPUT PER CODE.

REV.	DESCRIPTION	DATE	BY

UNSPECIFIED TOLERANCES	UNLESS OTHERWISE SPECIFIED DIMENSIONS ARE IN INCHES.
DECIMAL	N/A
FRACTIONAL	N/A
5 PLACE	N/A
ANGLE	N/A
AMPLAR	N/A

PLOT @: FIT

This drawing and any prints thereof is the property of Georator Corporation and is subject to return on request. It is confidential and the recipient by accepting this drawing agrees not to use any information contained therein to Georator Corporation.

DATE	5-19-06
DRAWN	M.H.
FILE#	25-SAMPLE36.DWG
APP'D.	
SCALE	NONE

NAME	Georator Corporation
ADDRESS	9617 Center Street, Monroeville, VA 22110-5521, USA
TELEPHONE	(703)-368-2101 FAX (703) 368-1078
WIRING DIAGRAM,	50-60HZ, 3.3PH, LO WYE
FINISH	
DWG. NO.	A 25-SAMPLE36
SHEET	1 OF 1